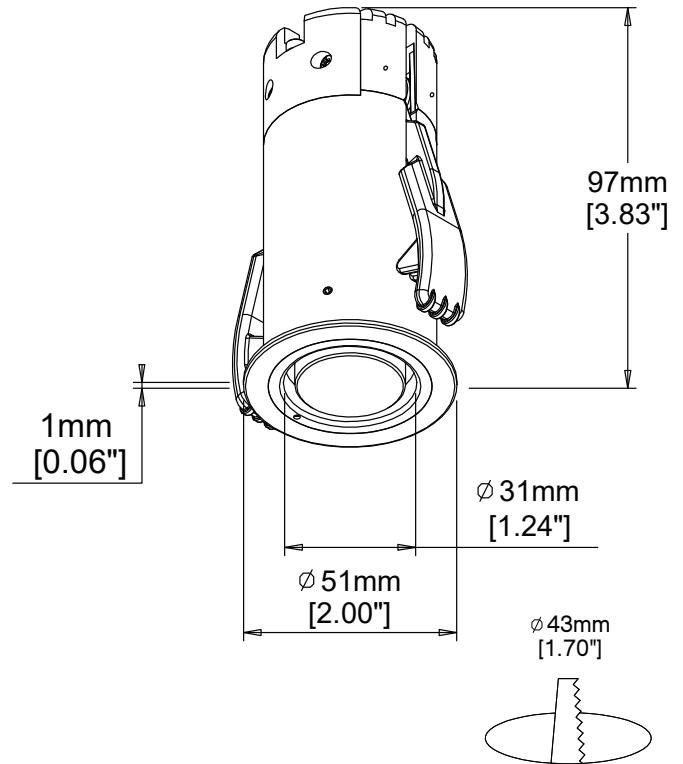


Specification sheet

REV 1

Lithe25 RD WW Colour



Description

Lithe 25 RD WW is a 1" wallwash downlight designed to deliver a beautifully distributed light on your walls. Tailored designed asymmetric TIR optics and carefully selected frosted glass achieves an asymmetrical well-diffused lighting effect. Designed with a minimal trim appearance, this luminaire with truly 1" aperture blends into the ceiling seamlessly making it perfect for any residential and commercial projects.

Features

LED	Philips Luxeon M LED Array
Color temperature	2700K/ 3000K/ 3500K/ 4000K
Optics	Wallwash TIR Lens and Frosted Glass Diffuser

Performance

Delivered output	297 lm
Input Voltage	See the ordering code information
Power consumption	< 9.6 W
Color rendering	CRI 80+/ 90+
CBCP	Wide 371cd

Electrical

- Remoted Class 2 driver, Power Factor > 0.90
- TRIAC/ELV or 0-10V dimmable
- Overload & short circuit protection

Construction

Material	Aluminum
TIR optics	PC
Trim shape	Round
Trim color	Black-interior and white flange
Ceiling Cutout	43mm

Rating/ Certification/ Warranty

- Damp and Wet Locations.
- IP44
- RoHS
- 5 years / 50,000hrs warranty

Ordering Code Information

PRODUCT	TRIM STYLE	LUMEN	COLOR TEMPERATURE	FINISH	BEAM ANGLE
LTE25 WW	R	06	27	WHB	W
LTE25WW	R Round	06 600lm	27 (2700K) 30 (3000K) 35 (3500K) 40 (4000K)	WHB(White/ Black)	W(Wide)/40deg.

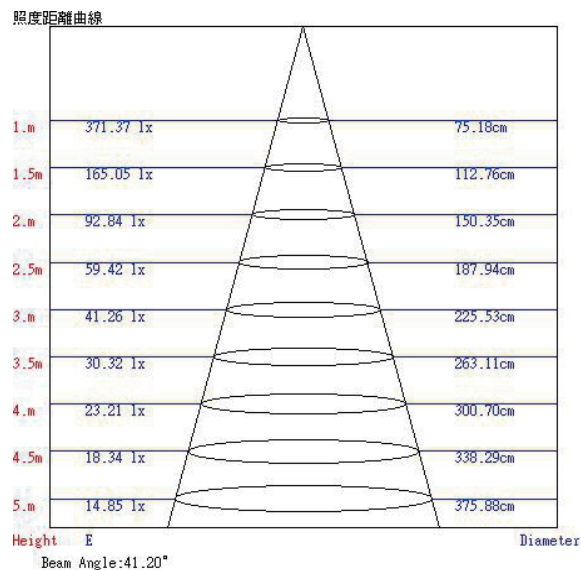
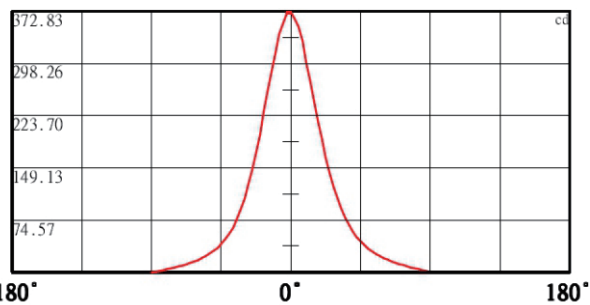
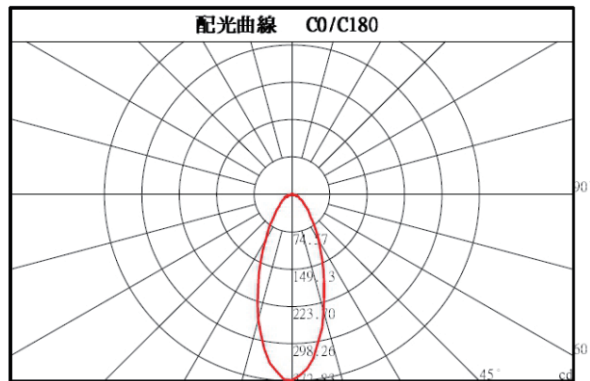
Recommended LED Driver

Driver No.	Input Voltage	Dimming	Note
DE-1-700-10	120V	TRIAC/ELV	
DE-1-900-10	120V	TRIAC/ELV	Consult Factory
DE-4-700-10	220-240V	TRIAC/ELV	
DE-4-900-10	220-240V	TRIAC/ELV	Consult Factory
DA-3-700-10	120-277V	0-10V DIMMING	

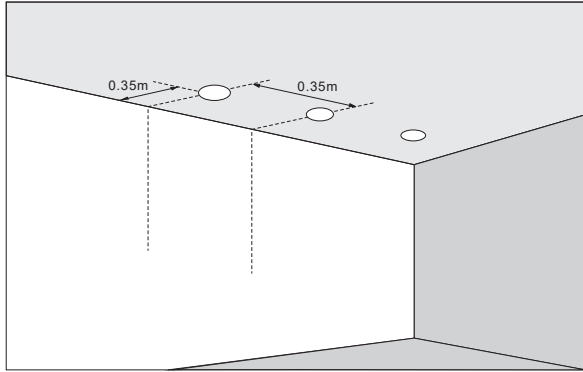
Photometric Data : Distribution Curve

(Measured with Matt White Trim Finish)

40° Beam Spread
 3000K
 > 297lm
 Efficacy > 31LPW

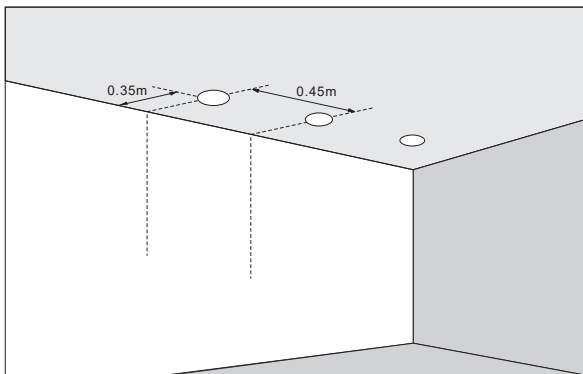


Lith 25 RD Wall Wash



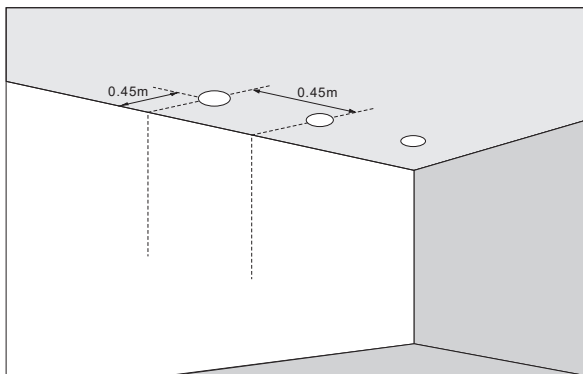
Multiple unit data

Lux on wall	0.35 from wall - 0.35 on center (m)		
	0.175		
Distance from ceiling (m)			
0.3	111	119	112
0.6	166	181	169
0.9	127	141	129
1.2	84	92	85
1.5	54	58	55
1.8	36	38	36
2.1	24	26	24
2.4	17	18	17
3.7	13	13	13
3.0	9	10	9



Multiple unit data

Lux on wall	0.35 from wall - 0.45 on center (m)		
	0.225		
Distance from ceiling (m)			
0.3	101	95	101
0.6	150	152	151
0.9	115	124	116
1.2	76	85	77
1.5	50	55	50
1.8	33	36	33
2.1	23	25	23
2.4	17	17	17
3.7	12	13	12
3.0	9	9	9



Multiple unit data

Lux on wall	0.45 from wall - 0.45 on center (m)		
	0.225		
Distance from ceiling (m)			
0.3	58	59	58
0.6	101	108	103
0.9	93	102	94
1.2	71	78	72
1.5	51	56	51
1.8	36	39	36
2.1	26	28	26
2.4	19	20	19
3.7	14	15	14
3.0	11	11	11